

SERIES 4000 CABINETS FOR RACK MOUNT EQUIPMENT

QUICK INSTALL / INFO GUIDE

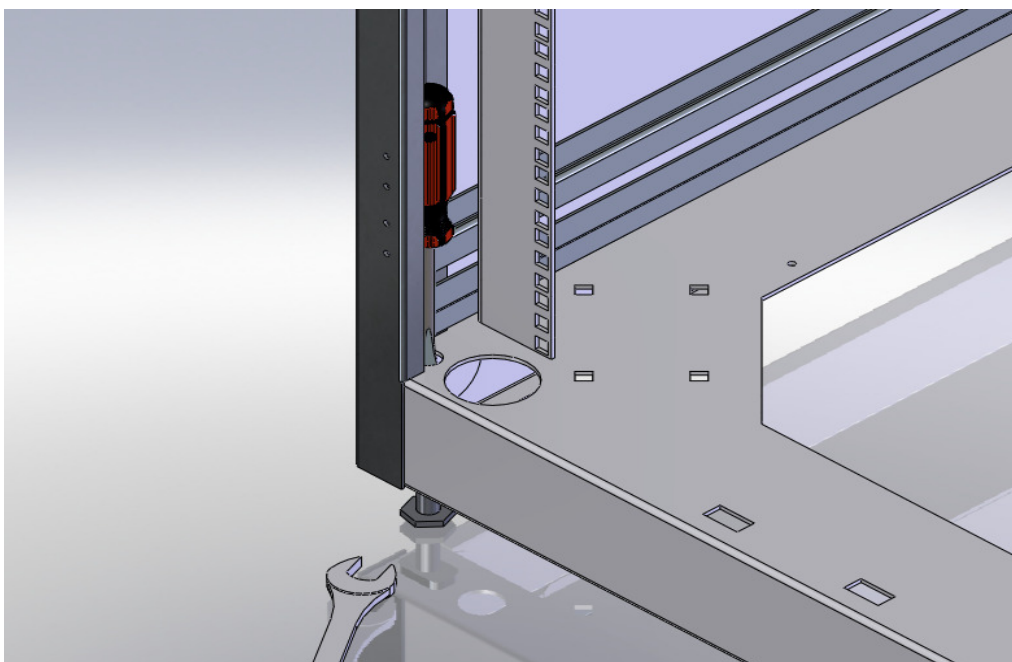


Important Safety Information

- Use at least two people to unpack the cabinet.
- Use caution when moving an empty cabinet on its casters; the cabinet may be unstable when pushed or pulled from the side. Push the cabinet from the front or back when moving it on its casters.
- Ground each cabinet directly to the building ground. Do not ground one cabinet to another in a cascading style.
- Do not stand on the cabinet top.

Levelling the Cabinet

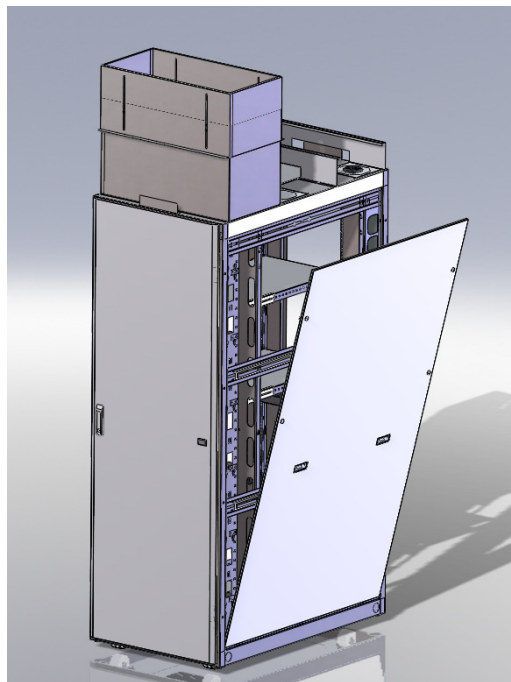
The cabinet levellers should be lowered before working on or installing equipment in the cabinet. Using either a 1" open-ended wrench underneath the cabinet or a slotted screwdriver from inside the cabinet, extend the leveller until it sits firmly on the floor.





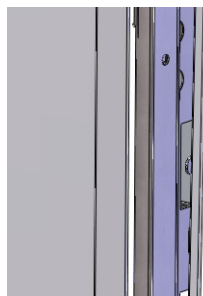
Removing and Installing Side Panels

Side panels are removable to allow access to the interior or pass cables between cabinets when they are joined together. Side panels also offer additional security and maintain proper airflow within the cabinet.

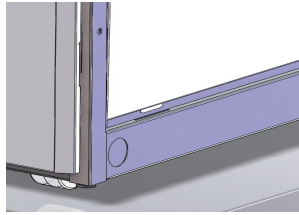


Removing the side panels

- Unlock the latches to be able to disengage the panel.

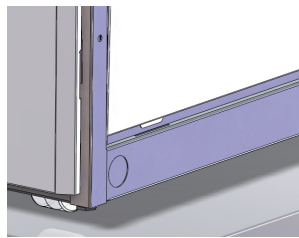


- Turn the key on all the latches by 90 degrees and pull the top of the panel away from the cabinet.
- Using the handles of the panel slowly lift the panel up and off the bottom frame of the cabinet.

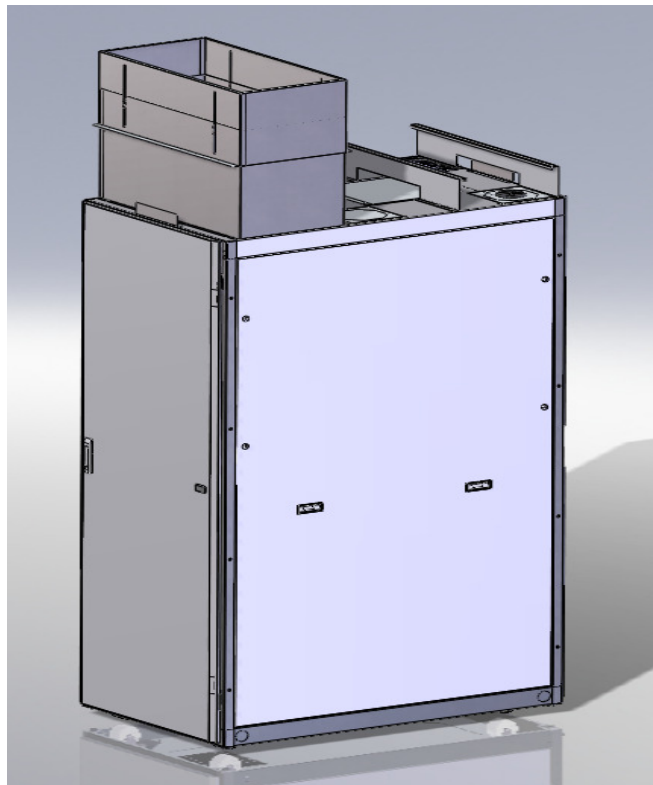


Installing the side panels

- Grab the sides of the panel and slowly guide the bottom tabs of the panel into the slots on the bottom of the cabinet frame.



- Push the top of the panel towards the cabinet and turn all the latches by 90 degrees to secure the panel into place.



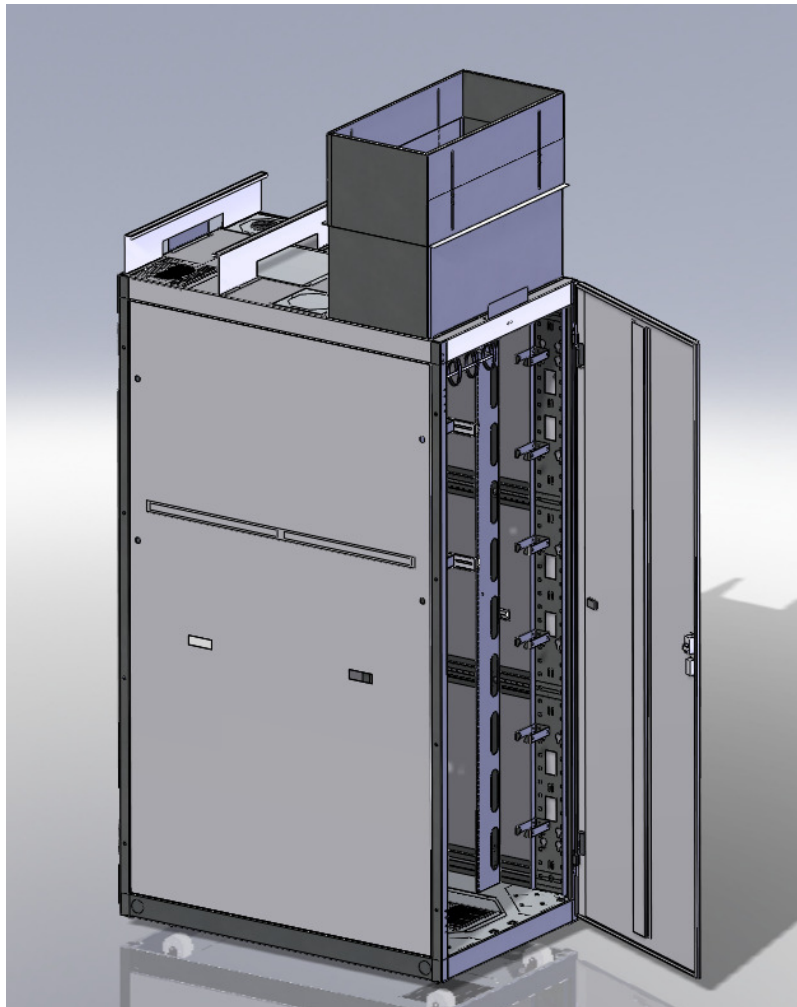


Removing and Installing the Doors

Removing the doors

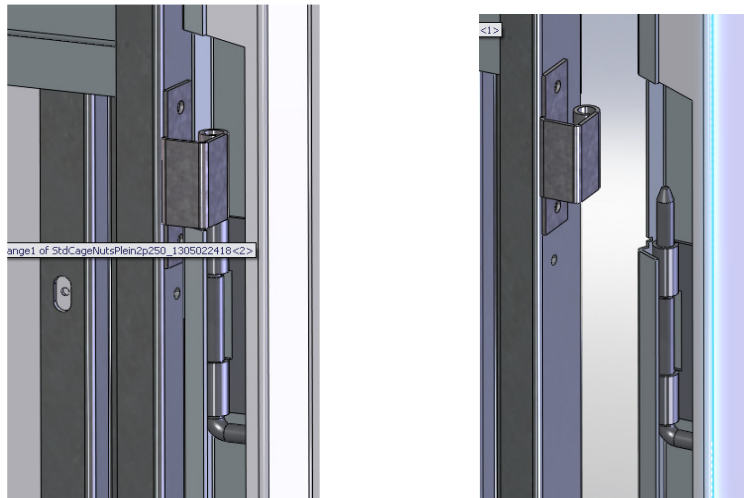
Both front and rear doors of the cabinet can be removed to have better access to the installed equipment.

- Open the door to approximately 90 degrees to facilitate removal.



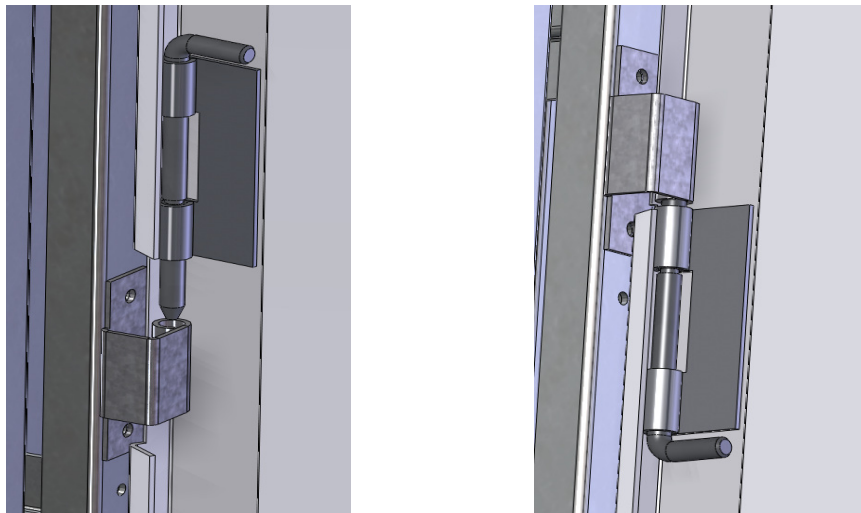


- Pull down on the pin of the top spring hinge and slowly disengage the door.
- Lift the door off of the bottom hinge.



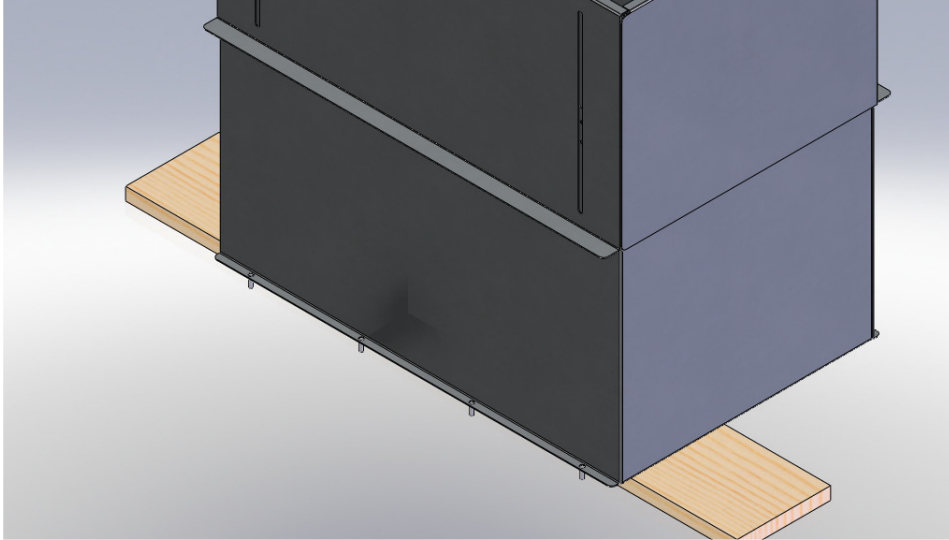
Installing the doors

- Align pin of the bottom door spring hinge with the hinge bracket on the cabinet.
- Pull pin of the top door spring hinge and align it with the hinge bracket on the cabinet.
- Release the pin and make sure both pins are secure.

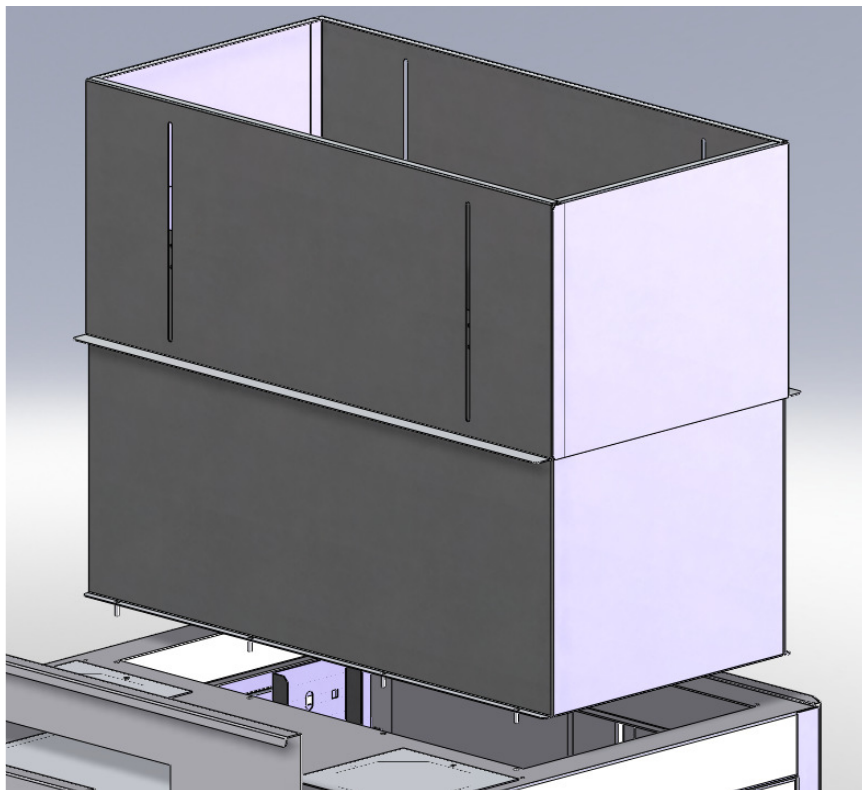


- Make sure that the door opens and closes properly without interfering with any wiring.

Installing the Exhaust Chimney

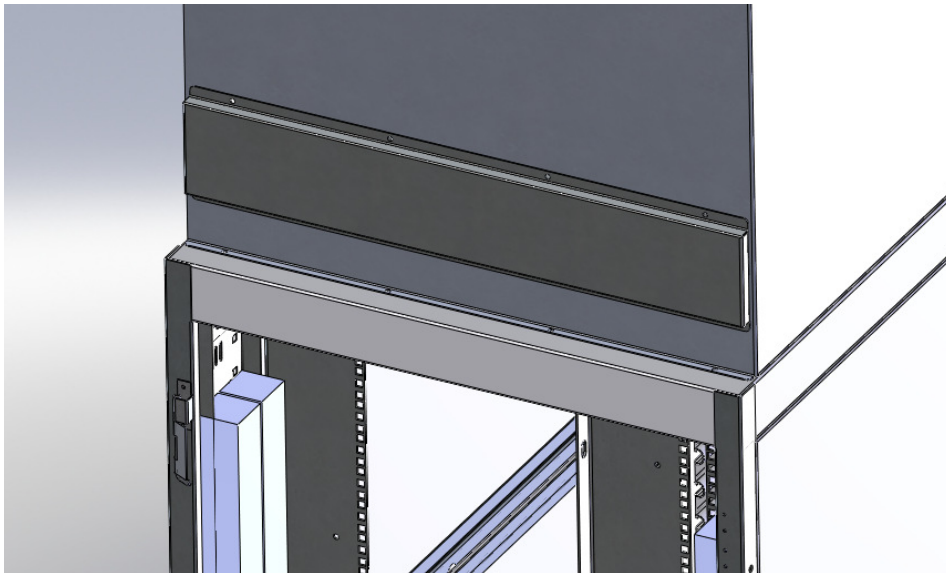


- Use a plank of wood to protect the studs when placing the chimney on the floor.
- If packaging includes a top wood plank, do not remove the plank from the chimney until after the chimney is installed on the cabinet.



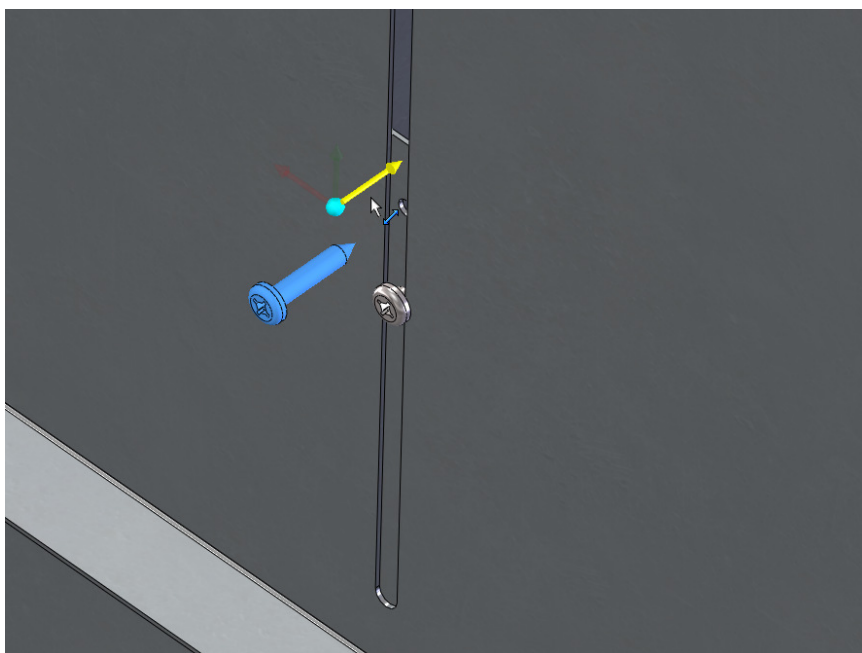
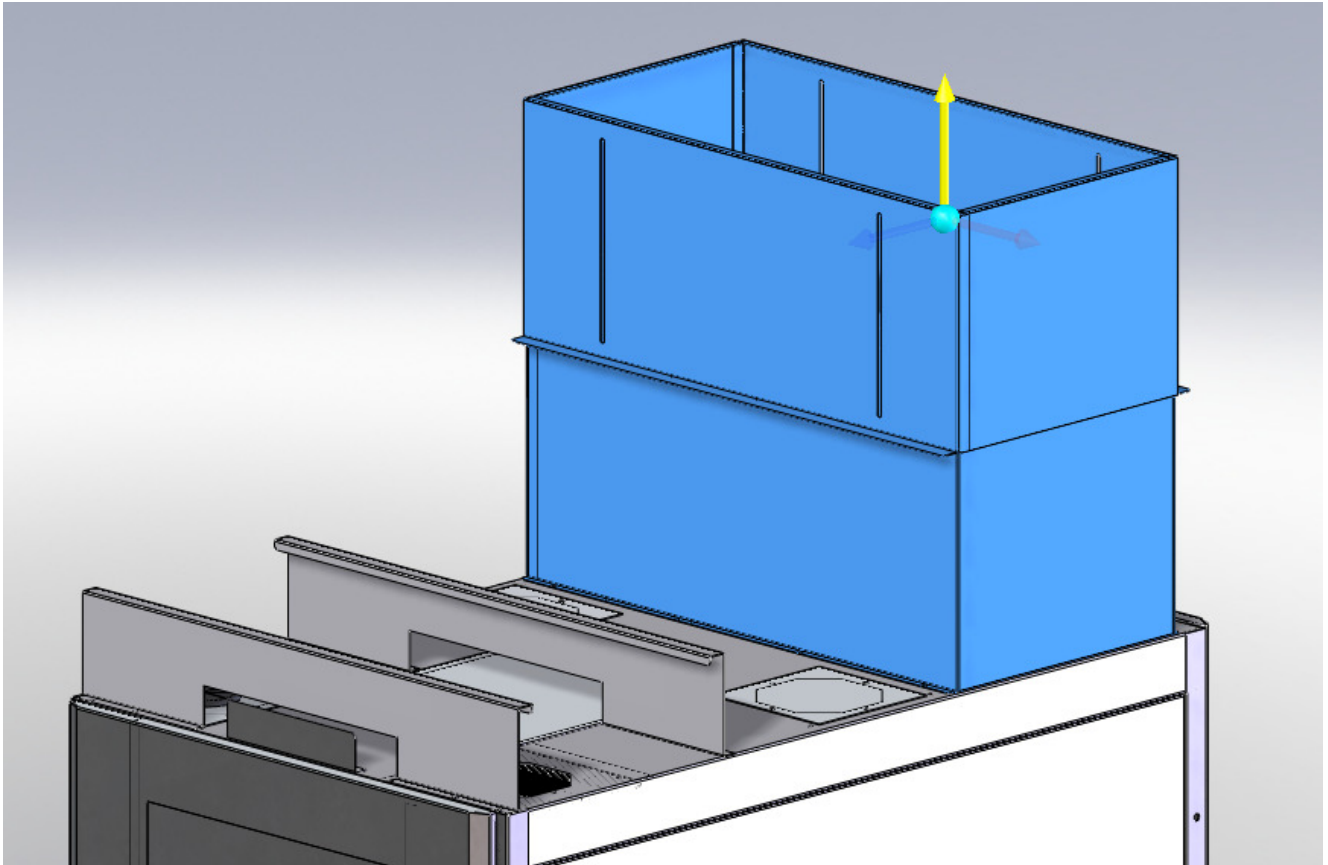


- Orient the chimney so the studs are located on the bottom front of the chimney.
- Carefully lift chimney over the top of the cabinet and lower the front studs into the corresponding holes on the cabinet top.
- Secure with #10-32 k-loc nuts from inside the cabinet.



- Use 10-32 hardware to secure opposite side of the chimney to the top of the cabinet (careful not to over tighten the fasteners).
- Four mounting holes are located on the chimney flange and on the top of the cabinet.
- If applicable, remove the top wood packaging plank from the chimney. Do NOT stand on the cabinet top.

Adjust height of telescopic chimney extension.

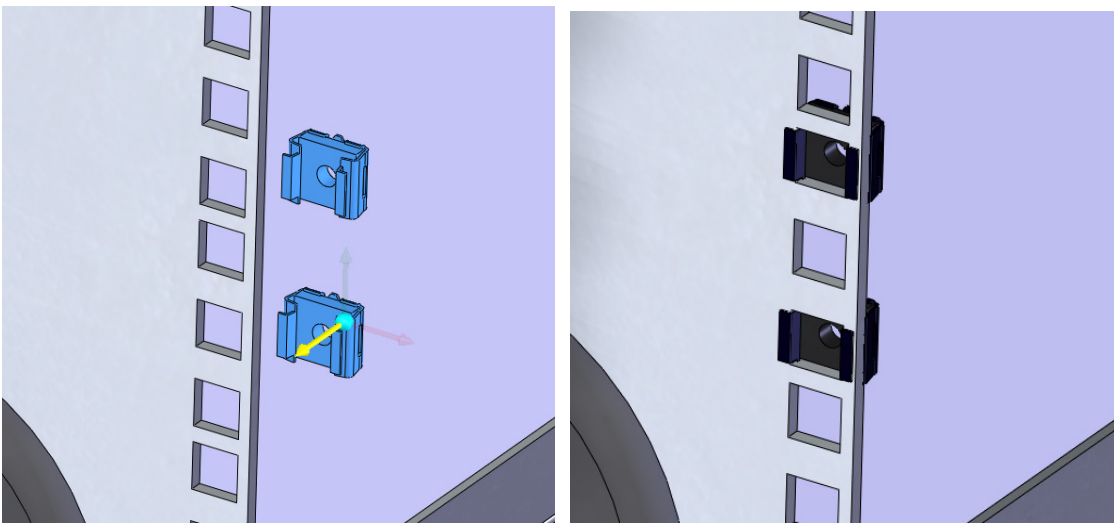




- Slightly loosen the four provided screws and adjust to proper height.
- Tighten the four screws to secure in desired position.

Installing Equipment

Installing cage nuts



Be sure to install the cage nuts horizontally with the flanges on the sides of the square cutouts (as shown above).

- Insert the cage nut into the square cutout from the far side. (Inside of the mounting rail)
- Place one flange of the cage nut through the cutout and then snap the opposite flange into place.

Install desired rack mount equipment as shown below.

